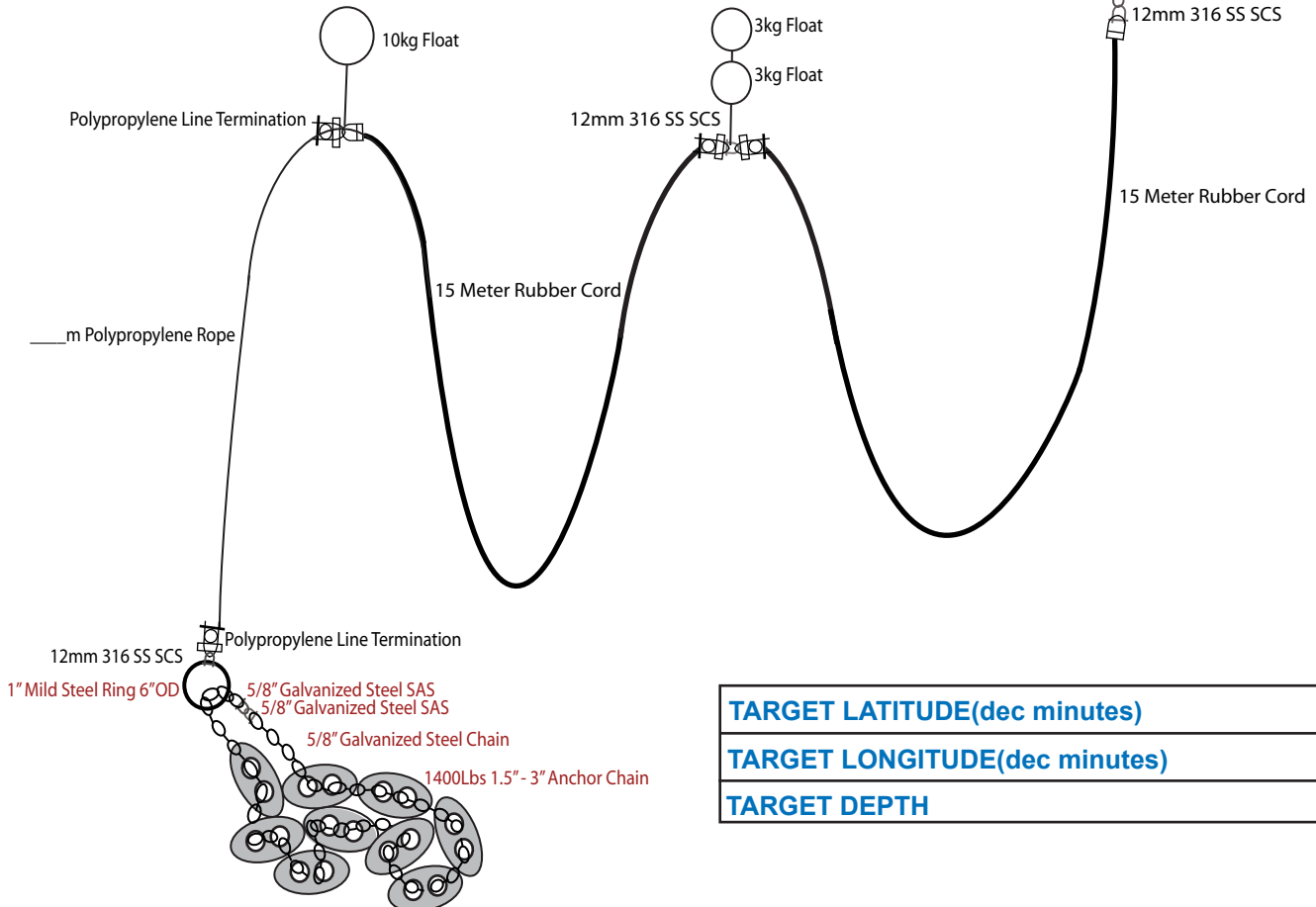
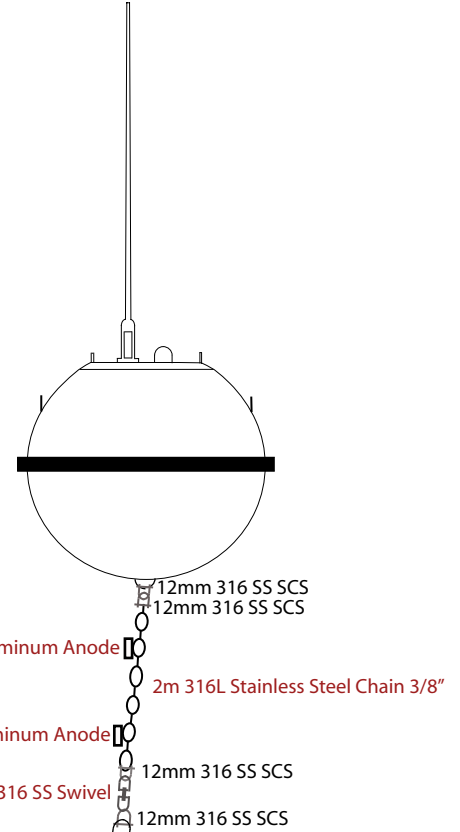


Mooring Diagram

Depth: Shallow

STATION NAME _____
 STATION ID# _____
 INSTALL DATE _____
 BUOY TYPE _____
 BUOY SERIAL# _____
 TOPHAT SERIAL# _____
 FREQUENCY _____
 ARGOS SERIAL# _____
 SIM CARD# _____
 GPS EQUIPPED _____
 TIME (Local) _____
 LATITUDE(decimal minutes) _____
 LONGITUDE(decimal minutes) _____
 DEPTH _____ (m)
 _____ (fthms)
 _____ (ft)



TARGET LATITUDE(dec minutes)
TARGET LONGITUDE(dec minutes)
TARGET DEPTH

*SAS = Safety Anchor Shackle
 SCS = Safety Chain Shackle
 Non-Datawell Items